

Ventilation Equipment 304 S/S Wall Hood+Filters 1200X1400mm

ITEM # _____

MODEL # _____

NAME # _____

SIS # _____

AIA # _____


642165 (BP1412DT)

304 stainless steel Wall Hood with filters

Short Form Specification

Item No. _____

Constructed in 304 AISI stainless steel. Equipped with labyrinth filters in 304 AISI stainless steel, blind panels in 304 AISI stainless steel, grease collecting trough all around and condensate collecting tray.

Main Features

- External panels with upturned edges to avoid injuries.
- Prearranged for installation of lighting.
- Low noise level.

Construction

- Eyebolts and screw anchors for ceiling installation.
- 304 AISI stainless steel condensation collection tray.
- Labyrinth filters guarantee constant filtration to avoid clogging and to protect against fire.
- 304 AISI stainless steel blind panels for a correct exhaustion.
- Outlet holes are sized in order to minimize drops in pressure.
- Perimetral gutter with drain hole to transfer grease into a 304 AISI container.
- Entirely constructed in 304 AISI stainless steel.
- 304 AISI stainless steel labyrinth filters easily removable for cleaning.

Included Accessories

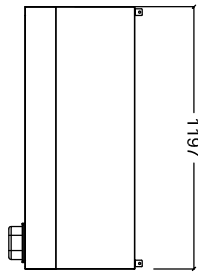
- 2 of 304 Stainless steel labyrinth filter (h=500 mm) PNC 640052

Optional Accessories

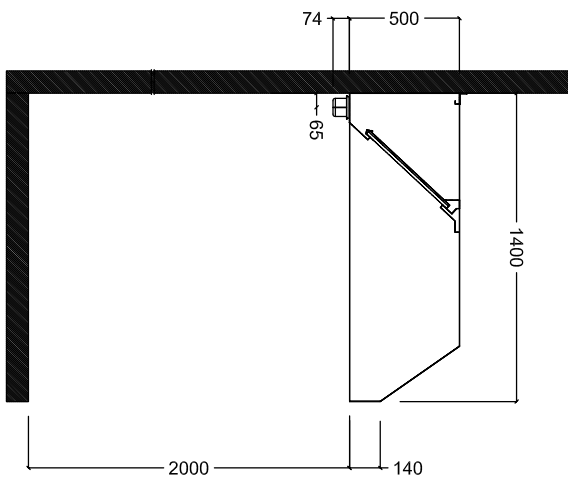
- Speed Variator for motors up to 1,17 kW PNC 640076
- Drain for hoods, diam.1/2" (m), with plug PNC 640409

APPROVAL: _____

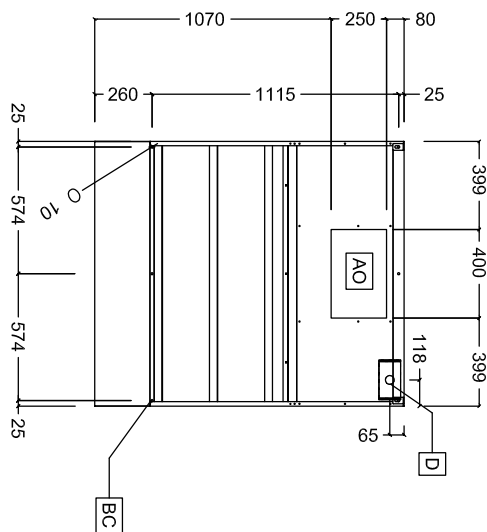
Front



Side



Top



Key Information:

External dimensions, Width:	
642165 (BP1412DT)	1200 mm
External dimensions, Depth:	1400 mm
External dimensions, Height:	500 mm
Net weight:	29 kg

Air Emission:

Air capacity:	1900 mc/h
---------------	-----------